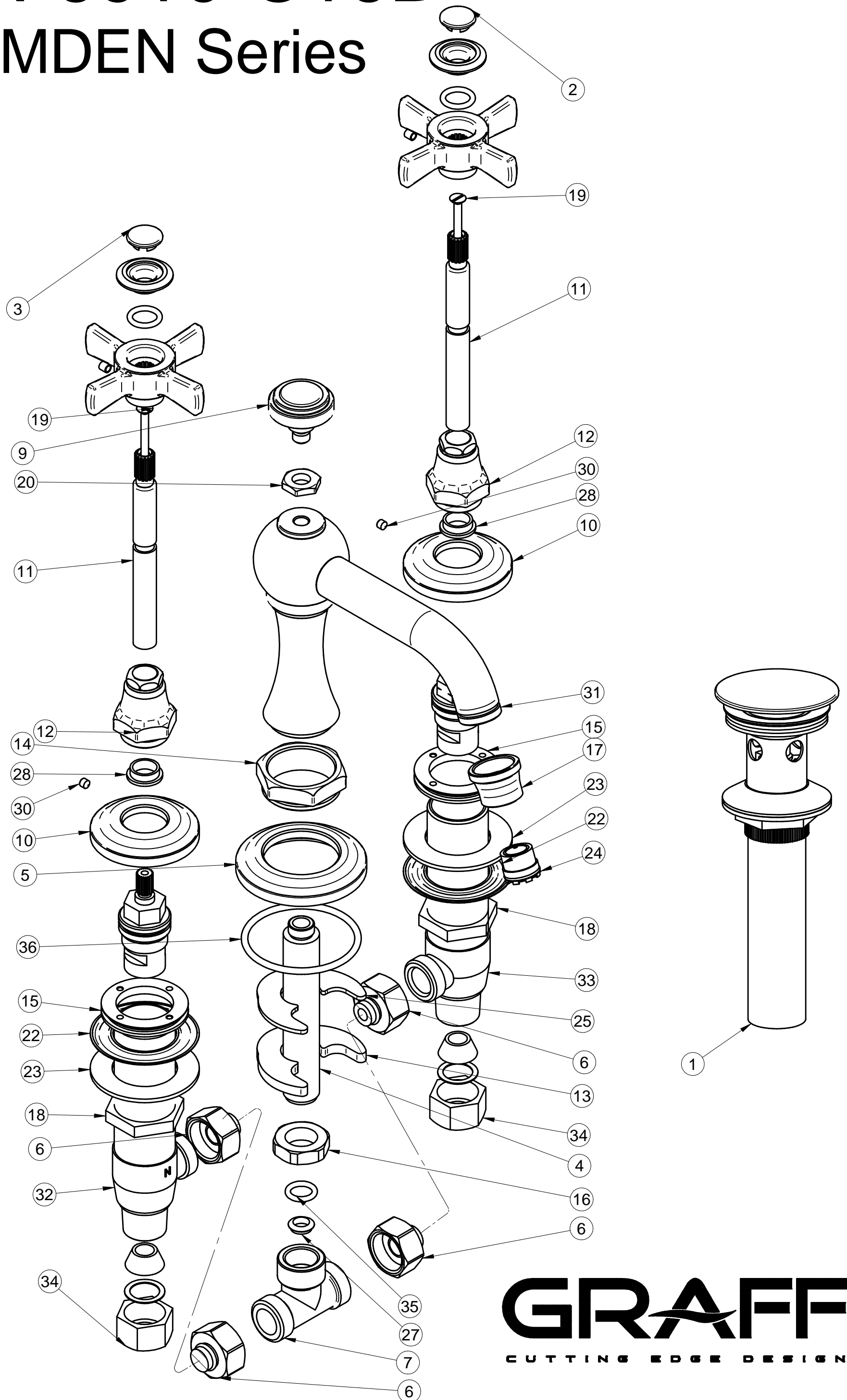


GN-6910-C16B

CAMDEN Series



GRAFF[®]
CUTTING EDGE DESIGN